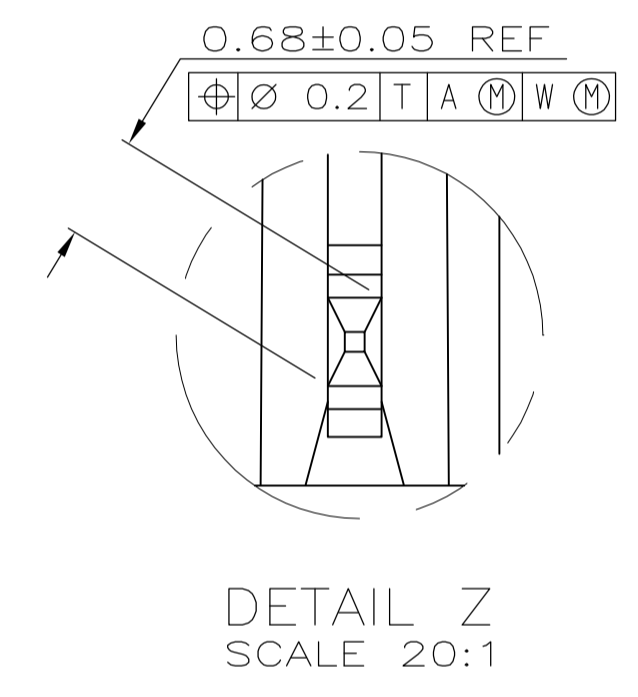


RECOMMENDED CIRCUIT PATTERN
 PER IPC-D300 TYPE II, CLASS C
 (COMPONENT SIDE)

- ① HOUSING MATERIAL: LIQUID CRYSTAL POLYMER
 COLOR: NATURAL.
- ② CONTACT MATERIAL: PHOSPHOR-BRONZE.
- ③ CONTACT FINISH:
 UNDERPLATE (ENTIRE CONTACT):
 0.00127 MIN NICKEL PER SAE-AMS-QQ-N-290
 ON MATING SURFACES:
 CONFORMS TO ALL TESTING SPECIFIED FOR TELCORDIA
 UNCONTROLLED ENVIRONMENT.
 ON LEADS:
 0.0006 MIN MATTE TIN PER ASTM B 545 OVER UNDERPLATE.
 LUBRICATION (MIN MATING SURFACES):
 SURFACE CONDITIONER AFTER PLATING.
- ④ PART MARKING LOCATED APPROXIMATELY AS SHOWN.
- ⑤ CONTACT FINISH:
 UNDERPLATE (ENTIRE CONTACT):
 0.00127 MIN NICKEL PER SAE-AMS-QQ-N-290
 ON MATING SURFACES:
 0.00076 MIN NICKEL OR COBALT HARDENED GOLD
 PER ASTM B-488 OVER UNDERPLATE.
 ON LEADS:
 0.0006 MIN MATTE TIN PER ASTM B 545 OVER UNDERPLATE.
 LUBRICATION (MIN MATING SURFACES):
 SURFACE CONDITIONER AFTER PLATING.
- ⑥ CONTACT FINISH:
 UNDERPLATE (ENTIRE CONTACT):
 0.00127 MIN NICKEL PER SAE-AMS-QQ-N-290
 ON MATING SURFACES:
 0.00127 MIN NICKEL OR COBALT HARDENED GOLD
 PER ASTM B-488 OVER UNDERPLATE.
 ON LEADS:
 0.0006 MIN MATTE TIN PER ASTM B 545 OVER UNDERPLATE.
 LUBRICATION (MIN MATING SURFACES):
 SURFACE CONDITIONER AFTER PLATING.



FINISH	POSITIONING PEGS	C	B	A	NO OF SIGNAL POSN	PART NUMBER
⑤	NO	46	23	47.88	120	3-5223008-4
⑥	NO	46	23	47.88	120	2-5223008-4
③	NO	214	107	215.88	540	1-5223008-2
⑤	NO	130	65	131.88	330	1-5223008-1
③	NO	118	59	119.88	300	1-5223008-0
⑤	NO	106	53	107.88	270	5223008-9
③	NO	94	47	95.88	240	5223008-8
③	NO	82	41	83.88	210	5223008-7
⑤	NO	70	35	71.88	180	5223008-6
③	NO	58	29	59.88	150	5223008-5
③	NO	46	23	47.88	120	5223008-4
③	NO	34	17	35.88	90	5223008-3
③	NO	22	11	23.88	60	5223008-2
③	YES	10	5	11.88	30	5223008-1

THIS DRAWING IS A CONTROLLED DOCUMENT.

DIMENSIONS: mm	TOLERANCES UNLESS OTHERWISE SPECIFIED:	0 PLC ± -	1 PLC ± -	2 PLC ± 0.13	3 PLC ± -	4 PLC ± -	ANGLES ± -
----------------	--	-----------	-----------	--------------	-----------	-----------	------------

DIN B MCMMASTER 22NOV04	Tyco Electronics Corporation Harrisburg, Pa 17105-3608
CHK R WERTZ 22NOV04	NAME ASSEMBLY, RECEPTACLE, SIGNAL, RIGHT ANGLE, Z-PACK 2mm FB, 5 ROW, PRESS FIT LEAD
APVD R WERTZ 22NOV04	PRODUCT SPEC
APPLICATION SPEC	SIZE CAGE CODE DRAWING NO
WEIGHT	A1 00779 C=5223008
CUSTOMER DRAWING	SCALE 4:1 SHEET 1 OF 1 REV B1